

Safety sensor for automatic sliding doors

IXIO S with 10m wire



Description

IXIO-S is an active infrared safety sensor. The tridimensional area of its infrared curtain protects the users from any contact with the doors. Adjustment is made easier with an LCD screen offering 10 different widths of curtains, to cover the full travel area of the door.

We also supply the black cover according your drawing.

Opening and safety sensor for automatic sliding doors **IXIO D** with 10m wire

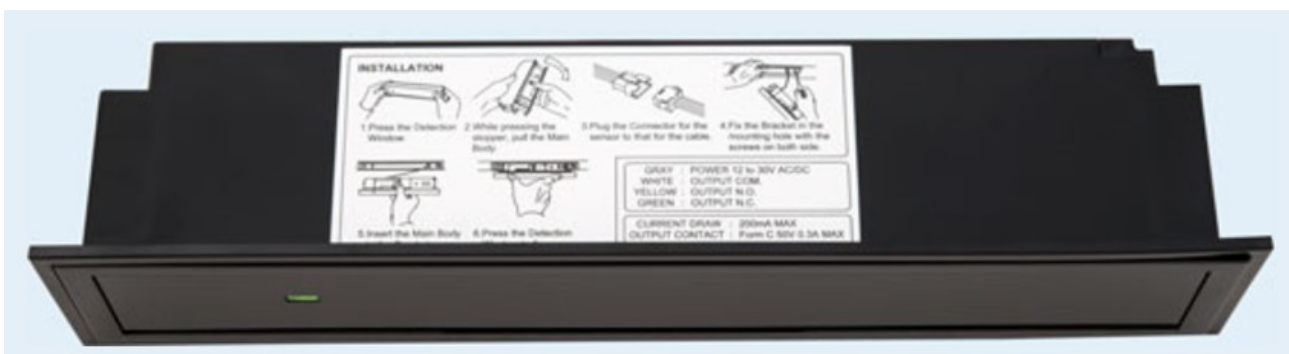


Description

The IXIO-D is a sensor which combines radar technology for the activation of the door and infrared technology for the user protection. The unidirectional radar enables energy savings to be made. The three-dimensional infrared curtain protects people from any contact with the doors. Thanks to the LCD screen and the BEA DECODER app sensor configuration has never been easier.

We also supply the black cover according your drawing.

Flush-mounted Active Infrared Safety Sensor **MIRAGE** with 10m wire



Description

The OPTEX Mirage is the optimal choice as an active infrared recessed mounted sensor. The sensor is designed to be installed in the header of the door operator or as a built in ceiling mount sensor. The OPTEX Mirage offers you both safety and activation on all types of automatic doors. It combines easy adjustable settings, providing maximum safety in a wide array of applications.

The OPTEX Mirage is simple to install. All the settings are mechanically adjustable with dipswitch and levers. The smart design makes that the engineer can easily reach the sensor in case adjustment of a setting is necessary.



Opening sensor for automatic doors
EAGLE with 10m wire.



Description

The EAGLE is a microwave sensor which can be mounted on all types of automatic doors, irrespective of the surroundings. The EAGLE ONE is a unidirectional motion sensor for standard automatic doors. The EAGLE ONE HM can be used for high mounting up to 5 m. The EAGLE THREE-N is a unidirectional motion sensor specially designed for self-monitored escape route doors. Configuration of parameters is flexible and easy via the remote control or push buttons.

This sensor can be installed invisible above the ceiling and can act through the material. Does not work through metal and metal plated

Opening and safety sensor for automatic sliding doors **1SAFE** with 10m wire



Description

The 1 SAFE is an active infrared sensor operating with background suppression (triangulation). At 2,20 m mounting height, the 1 SAFE emits an infrared beam of 35 x 70 mm and is therefore suitable for all applications where accurate and narrow detection fields are required. It either opens, protects or monitors.

Light barriers
OPTEX OS-12 C



Description

Simple safeguarding for automatic doors.

Not conform according DIN EN 16005!!

Contactless knowing act sensor for automatic door
MAGIC SWITCH



Description

The MAGIC SWITCH is an intentional contactless microwave sensor. One hand motion in front of the sensor can activate a door opening. It is mainly used in hygienic applications where the lack of contact with the sensor is required, but also for comfort reasons in hospital environments, hotels, restaurants, in the retail and pharmaceutical industries and in logistics.

This item can be installed behind a wall panel and can act through the material. Does not work through metal and metal plated.

Accessories

Foot switch **SW-1/SW-2**



Description

The SW-1/SW-2 switch is ideal for use when an efficient flow through automatic doors is desired. The switch can be kicked and hit with the elbows, feet or material that is being carried, in order to activate the door quickly.

The switch is available in two models and is mat polished stainless steel. With its robust design it is resistant to extreme heavy use and therefore as well water proof and maintenance free.

SW -1: 250mm x 75mm x 15mm

SW -2: 150mm x 55mm x 15mm

Oversized rocker/elbow switch

Push switch to open or close a door

Description:

Oversized rocker 70 x 212,4 mm
(with frame 81 x 224 mm)

Finish: stainless steel brushed

Protection level: IP 44

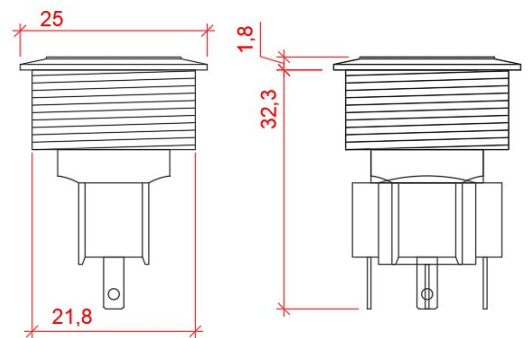


Push button series *Switch 22*



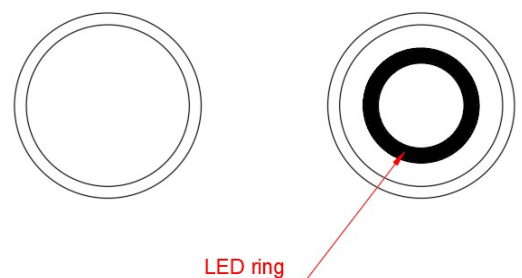
with LED ring RGB*	+
without LED ring	+
with engraving	+
without engraving	+
stainless steel brushed	+
stainless steel polished	+
other surfaces	(+)

* RGB = red, green, blue (+) increased delivery time

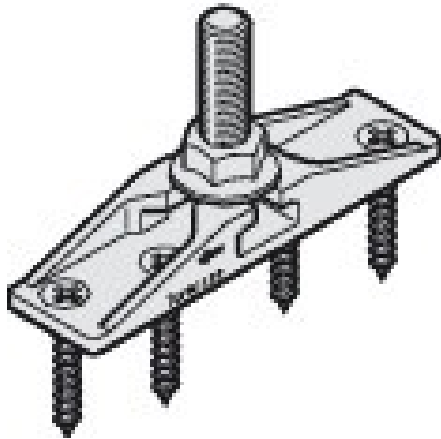


The push buttons will be delivered with an rubber ring, to hold position in drilling whole. Diameter of whole 22mm.

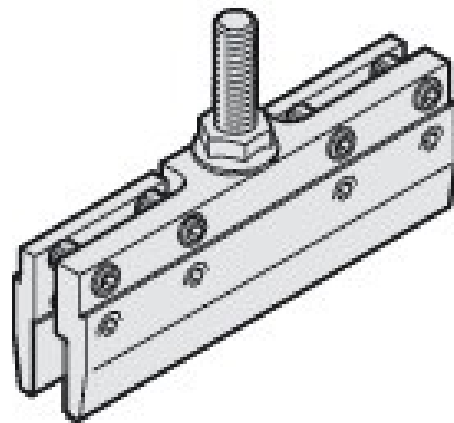
Attention – make test before you start with drilling all wholes



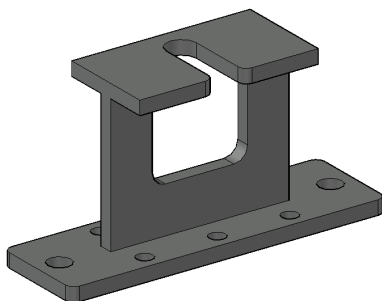
Brackets Fixing with thread M10



Flat bracket



Bracket for glass



Bracket for small ceiling slot, different heights possible